

1

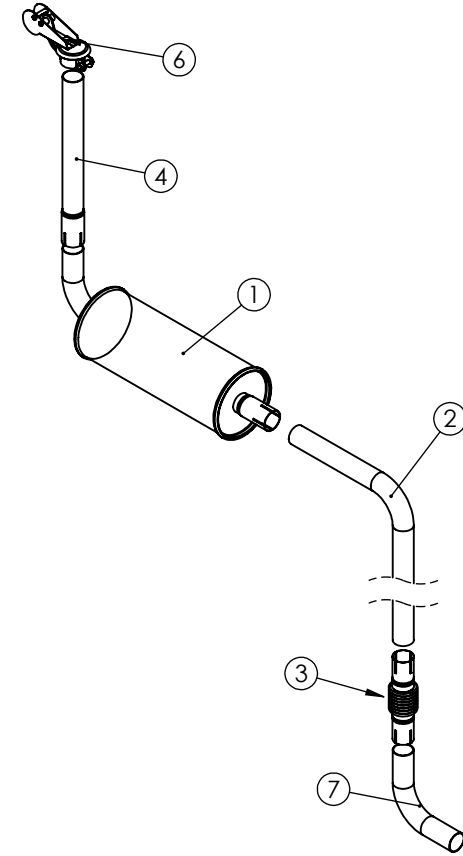
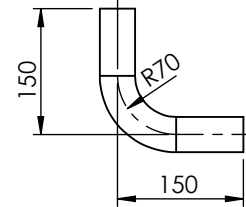
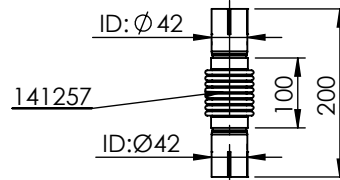
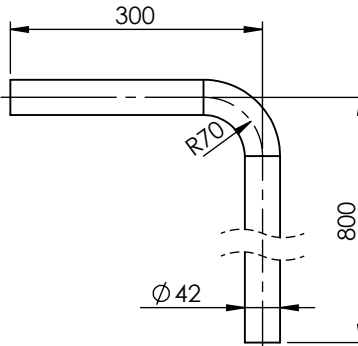
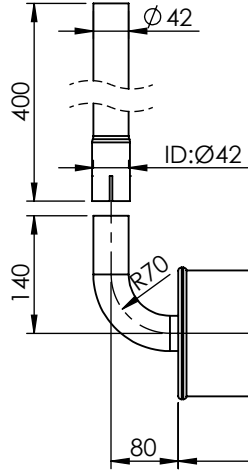
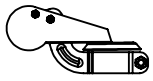
2

3

4

5

6



P.N	DEFINITION	EKSEN NO	QTY.
1	MUFFLER	32005.0022	1
2	ELBOW	32002.0024	1
3	BELLOWS	32002.0025	1
4	EXTANTION PIPE	32002.0028	1
5	CLAMP	32001.0023	3
6	RAIN CAP	32003.0010	1
7	ELBOW 2	32005.0031	1

BELİRTİLMİYEN ÖLÇÜLERDE, TOLERANS SINIFI "C" DİR.

Rev.No Revision notu (Rev.No Revision note)

Tarih (Date)

Onay (approver)

Proje-Project

Quantity-Mkt

Material-Malzeme:

Rev.No Revision notu (Rev.No Revision note)

Onay (approver)

Proje-Project

Quantity-Mkt

Material-Malzeme:

Rev.No Revision notu (Rev.No Revision note)

Onay (approver)

Proje-Project

Quantity-Mkt

Material-Malzeme:

Rev.No Revision notu (Rev.No Revision note)

Onay (approver)

Proje-Project

Quantity-Mkt

Material-Malzeme:

Rev.No Revision notu (Rev.No Revision note)

Onay (approver)

Proje-Project

Quantity-Mkt

Material-Malzeme:

Rev.No Revision notu (Rev.No Revision note)

Onay (approver)

Proje-Project

Quantity-Mkt

Material-Malzeme:

Rev.No Revision notu (Rev.No Revision note)

Onay (approver)

Proje-Project

Quantity-Mkt

Material-Malzeme:

Rev.No Revision notu (Rev.No Revision note)

Onay (approver)

Proje-Project

Quantity-Mkt

Material-Malzeme:

Rev.No Revision notu (Rev.No Revision note)

Onay (approver)

Proje-Project

Quantity-Mkt

Material-Malzeme:

Rev.No Revision notu (Rev.No Revision note)

Onay (approver)

Proje-Project

Quantity-Mkt

Material-Malzeme:

Rev.No Revision notu (Rev.No Revision note)

Onay (approver)

Proje-Project

Quantity-Mkt

Material-Malzeme:

Rev.No Revision notu (Rev.No Revision note)

Onay (approver)

Proje-Project

Quantity-Mkt

Material-Malzeme:

Rev.No Revision notu (Rev.No Revision note)

Onay (approver)

Proje-Project

Quantity-Mkt

Material-Malzeme:

Rev.No Revision notu (Rev.No Revision note)

Onay (approver)

Proje-Project

Quantity-Mkt

Material-Malzeme:

Rev.No Revision notu (Rev.No Revision note)

Onay (approver)

Proje-Project

Quantity-Mkt

Material-Malzeme:

Rev.No Revision notu (Rev.No Revision note)

Onay (approver)

Proje-Project

Quantity-Mkt

Material-Malzeme:

Rev.No Revision notu (Rev.No Revision note)

Onay (approver)

Proje-Project

Quantity-Mkt

Material-Malzeme:

Rev.No Revision notu (Rev.No Revision note)

Onay (approver)

Proje-Project

Quantity-Mkt

Material-Malzeme:

Rev.No Revision notu (Rev.No Revision note)

Onay (approver)

Proje-Project

Quantity-Mkt

Material-Malzeme:

Rev.No Revision notu (Rev.No Revision note)

Onay (approver)

Proje-Project

Quantity-Mkt

Material-Malzeme:

Rev.No Revision notu (Rev.No Revision note)

Onay (approver)

Proje-Project

Quantity-Mkt

Material-Malzeme:

Rev.No Revision notu (Rev.No Revision note)

Onay (approver)

Proje-Project

Quantity-Mkt

Material-Malzeme:

Rev.No Revision notu (Rev.No Revision note)

Onay (approver)

Proje-Project

Quantity-Mkt

Material-Malzeme:

Rev.No Revision notu (Rev.No Revision note)

Onay (approver)

Proje-Project

Quantity-Mkt

Material-Malzeme:

Rev.No Revision notu (Rev.No Revision note)

Onay (approver)

Proje-Project

Quantity-Mkt

Material-Malzeme:

Rev.No Revision notu (Rev.No Revision note)

Onay (approver)

Proje-Project

Quantity-Mkt

Material-Malzeme:

Rev.No Revision notu (Rev.No Revision note)

Onay (approver)

Proje-Project

Quantity-Mkt

Material-Malzeme:

Rev.No Revision notu (Rev.No Revision note)

Onay (approver)

Proje-Project

Quantity-Mkt

Material-Malzeme:

Rev.No Revision notu (Rev.No Revision note)

Onay (approver)

Proje-Project

Quantity-Mkt

Material-Malzeme:

Rev.No Revision notu (Rev.No Revision note)

Onay (approver)

Proje-Project

Quantity-Mkt

Material-Malzeme:

Rev.No Revision notu (Rev.No Revision note)

Onay (approver)

Proje-Project

Quantity-Mkt

Material-Malzeme:

SERİ	Sembol	UZUNLUK ÖLÇÜ TOLERANSLARI (x) Ölçü Alanları mm dir							SERİ	Sembol	PAH ve RADÜS ÖLÇÜ TOLERANSLARI Ölçü Alanları (mm) dir				AÇI ÖLÇÜ TOLERANSLARI (xx) Kısa Kenar Boyuna göre				BOYUT: A4
		0.5-3 Dahil	3-6 Dahil	6-30 Dahil	30-120 Dhl.	120-400 Dhl.	400-1000 Dhl.	1000-2000 Dhl.			±0.5	±1.0	±1.5	±2.0	10 dahil	10-50 dahil	50-120 dahil	120-400 dahil	
İnce	f	±0.05	±0.05	±0.1	±0.15	±0.2	±0.3	±0.5	İnce	f	±0.2	±0.5	±1.0	±1*	±0*30'	±0*20'	±0*10'	⊕	⊖
Orta	m	±0.1	±0.1	±0.2	±0.3	±0.5	±0.8	±1.2	Orta	m	±0.2	±0.5	±1.0	±1*30'	±1*	±0*30'	±0*15'	⊕	⊖
Kaba	C	±0.2	±0.3	±1	±1.5	±2.5	±3	±5	Kaba	C	±0.4	±1.0	±2.0	±3*	±2*	±1*	±0*30'	⊕	⊖

GENSET
SOLUTIONS

DRAWING NO-ÇİZİM NO
3.01.001220

EDITION-YAYIN
01

SHEET-TAMAMI
1-1

WEIGHT-AĞIRLIK (KG.)
00

BİLGİSAYAR KONUMU:

1

2

3

4

5

6